

# NICSA

NICSA S/A Indústria e Comércio de Válvulas

## ATUADORES FIRESTONE AIRSTROKE



**SÃO PAULO:** Rua das Baiadeiras, 406

**RIO DE JANEIRO:** Av. Pedro II, 147 - São Cristóvão

**PORTO ALEGRE:** Av. Mena Barreto, 271

**RECIFE:** Rua Guarabira, 640 - 4B - Imbiribeira

**BELO HORIZONTE:** Rua 1º de Maio, 424 - sala 09

**CURITIBA:** Rua Des. Westphalen, 2621

**RIBEIRÃO PRETO:** Av. Barão do Bananal, 880

**SALVADOR:** Centro Empresarial Iguatemi, I 7º and. Cj.729

**CEP**  
04675-210

**TELEFONE**  
(11) 5525-4122

**FAX**  
(11) 5521-3307

**E-mail**

vendas@nicsa.com.br

(11) 5525-4133 • **VENDAS**

20941-070 (21) 2589-1920

(21) 2589-1920

vendasrj@nicsa.com.br

91030-470 (51) 3362-8040

(51) 3362-8424

vendasrs@nicsa.com.br

51160-140 (81) 3472-7850

(81) 3472-7866

vendaspe@nicsa.com.br

31130-130 (31) 3444-1506

(31) 3444-9872

vendasbh@nicsa.com.br

80220-030 (41) 3332-7272

(41) 3332-3162

vendaspr@nicsa.com.br

14092-000 (16) 3967-2112

(16) 3967-1006

vendasrp@nicsa.com.br

41820-907 (71) 3431-9676

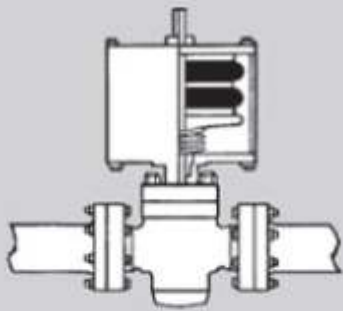
(71) 3450-3874

vendasba@nicsa.com.br

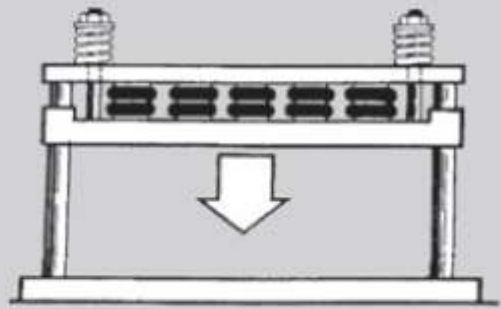
[www.nicsa.com.br](http://www.nicsa.com.br)

# SOLUÇÃO DE PROBLEMAS USANDO ATUADORES FIRESTONE AIRSTROKE

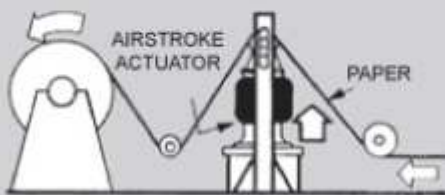
ATUADOR DE VÁLVULAS



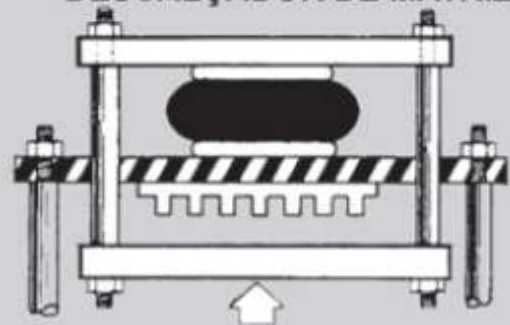
PRENSA DE COLAGEM



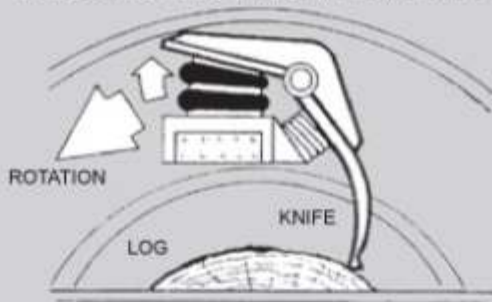
DISPOSITIVO DE TENSIONAMENTO DE TELA



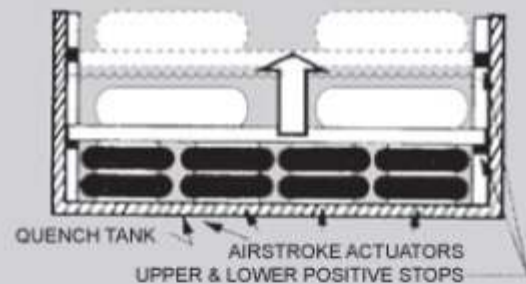
DESCALÇADOR DE MATRIZ



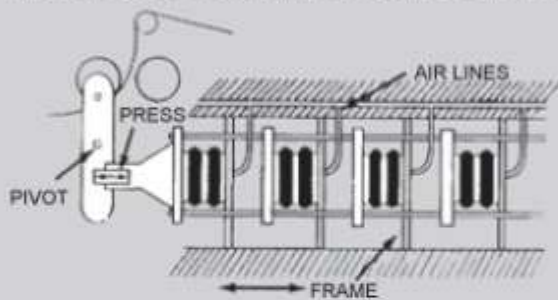
ATUADOR DE MOLDA DA FACA



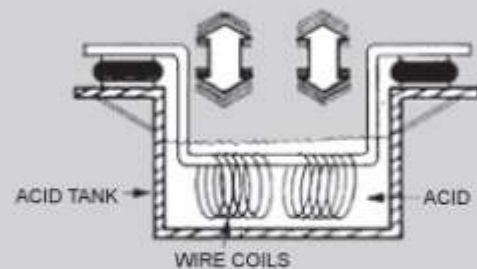
ATUADOR DO TANQUE DE RESFRIAMENTO



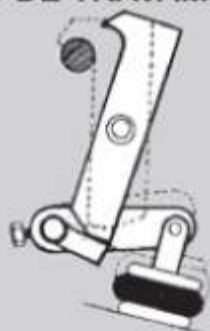
PRENSA DE GRAMATURA DE PAPEL



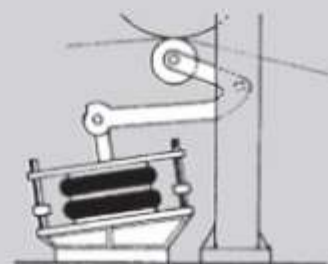
ATUADOR DE TANQUE DE DECAPAGEM



DISPOSITIVO DE TRAVAMENTO RÁPIDO



ROLO DE PRESSÃO PARA CALANDRA



# SOLUÇÃO DE PROBLEMAS USANDO ATUADORES FIRESTONE AIRSTROKE

**FIXADOR DE MONTAGEM DE MÍSSIL**

A diagram showing a missile mounted on a fixture. The fixture is supported by a base with wheels. An Airstroke actuator is used to adjust the height of the fixture, as indicated by the upward arrow.

**ALINHADOR DE NÚCLEO**

A diagram of a core aligner mechanism. It features a central core being held by a mechanism. An Airstroke actuator is used to adjust the position of the core, as indicated by the vertical double-headed arrow.

**ELEVADOR DE CORREIA**

A diagram of a belt elevator. A belt is shown running over a series of rollers. An Airstroke actuator is used to adjust the tension or position of the belt, as indicated by the vertical arrow.

**FRENAGEM DE ROLOS**

A diagram of a roller braking mechanism. A roller is shown between two vertical supports. A friction pad is used to apply pressure to the roller, controlled by an Airstroke actuator.

**PIPE INDEXING THREADING**

A diagram of a pipe indexing threading machine. It shows a pipe being threaded. An Airstroke actuator is used to adjust the position of the pipe, as indicated by the vertical arrow.

**MECANISMO CORRETIVO DE LÂMINA OSCILANTE (DOCTOR) PARA ROLO DE CALANDRA DE PAPEL**

A diagram of a paper mill doctor mechanism. It shows a cylinder and a doctor blade. The doctor blade is used to correct the paper as it passes over the cylinder. An Airstroke actuator is used to adjust the position of the doctor blade.

**PRENSA DE CONFORMAÇÃO**

A diagram of a forming press. It shows a material being pressed between two rollers. A press platen is used to apply pressure to the material. An Airstroke actuator is used to adjust the pressure.

**DISPOSITIVO DE TENSIONAMENTO DE CABOS**

A diagram of a cable tensioning device. It shows a cable being tensioned over a roller. A drive belt and lineshaft are used to operate the roller. An Airstroke actuator is used to adjust the tension.

**PRENSAGEM DE SACOS**

A diagram of a bag flattening press. It shows a bag of material being flattened between two rollers. An Airstroke actuator is used to adjust the pressure applied to the bag.

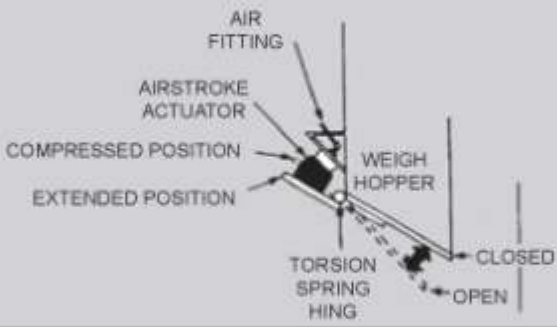
**FREIO DE ATRITO TORCIONAL**

A diagram of a torque friction brake. It shows a roller supported by a frame. A drive belt and lineshaft are used to operate the roller. A torque tube and brake bushing are used to apply friction. An Airstroke actuator is used to adjust the friction.

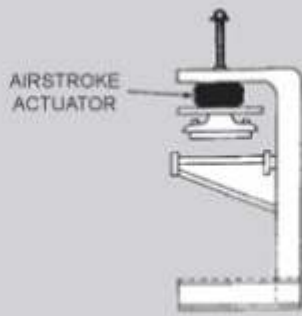


# SOLUÇÃO DE PROBLEMAS USANDO ATUADORES FIRESTONE AIRSTROKE

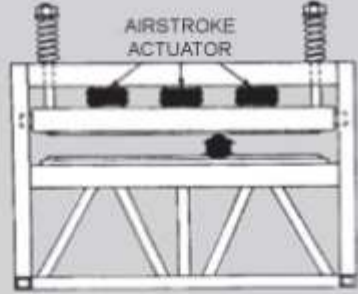
## SISTEMAS ARTICULADOS



## PRENSA DE ESTAMPAGEM A QUENTE



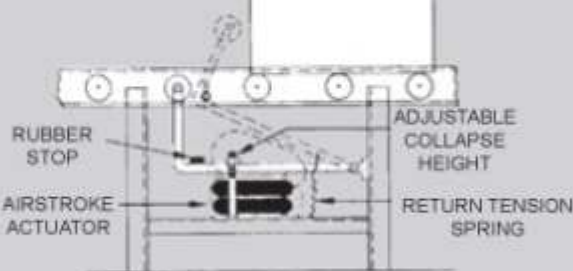
## SELADOR ATUADO DE CARGA PESADA



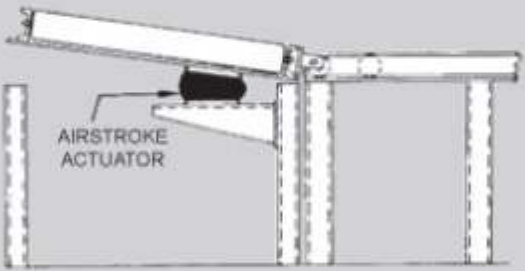
## DISPOSITIVO DE FIXAÇÃO PIVOTADO



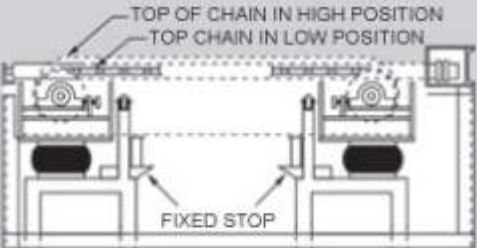
## PARADA ATUADA DE ESTEIRA



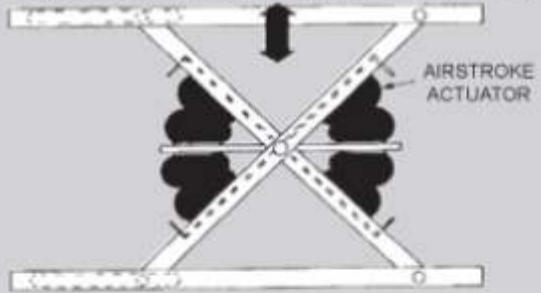
## COMPORTA BASCULANTE



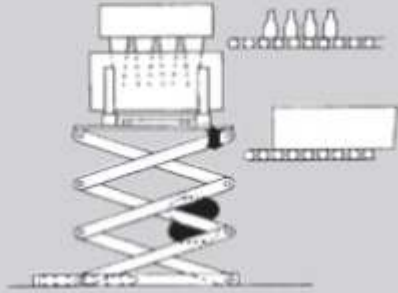
## MESA NIVELADORA



## ELEVADOR DE CARGA TIPO TESOURA



## EMBALADOR DE CAIXAS



## ATUADOR DE TRANSFERÊNCIA DO TRANSPORTADOR

